

# SINGLE STROBE LIGHT



**Model D-134**

## DESCRIPTION

DEMCO's Strobe Light **D-134** is a versatile, compact ultra-bright that is designed ideally for fire, security and hazard warning.

The solid-state LED Strobe Light offers high intensity of illumination at very low current consumption.

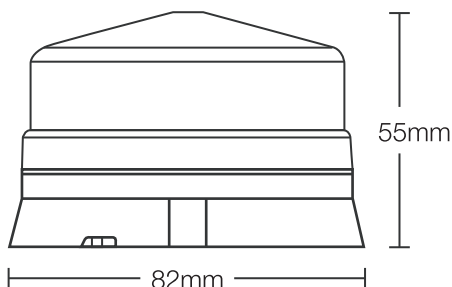
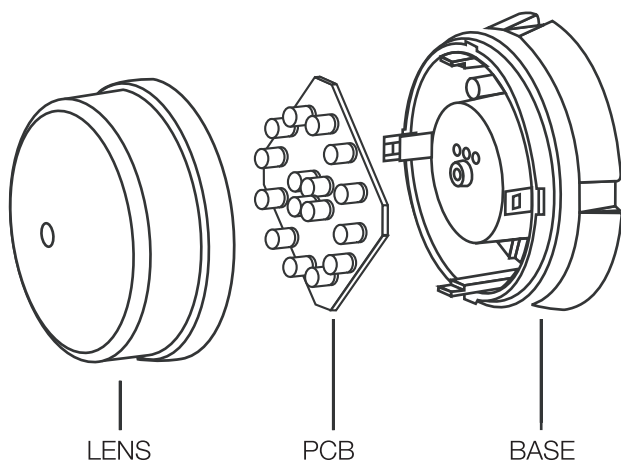
The lens and base are designed using a high grade Polycarbonate engineering plastic that has excellent resistance to impact and heat.

**D-134** is designed to work effectively with most detection systems incorporation central control equipment. It is ideal for low current applications such as battery powered alarm panels where back up battery power is dramatically reduced.

## SPECIFICATION

Dimensions (Ø) x (H)	82 x 55 mm
Lens Colour	Red, Green
Base Colour	White
Lens Material	Polycarbonate
Base Material	Polycarbonate
Operating Voltage	12V DC / 24V DC
Operating Current	30mA
Input Power	2 Watt
Flashing Rate	90 Flash per Second @ 12V 120 Flash per Second @ 12V
Fixing Method	Direct fixing using screws
Cable Routing	Rear entry

*Specifications are subject to change.*



**DEMCO**  
INDUSTRIES SDN BHD  
[www.demcoalarm.com](http://www.demcoalarm.com)

Lot 3928, Jalan Keretapi Lama  
Off Jalan Kapar 5 1/2 Miles  
42100 Klang  
Selangor Darul Ehsan  
West Malaysia  
Tel: 603-3290 3333  
Fax: 603-3290 2288  
E-mail: [sales@demcoalarm.com](mailto:sales@demcoalarm.com)  
[demco@tm.net.my](mailto:demco@tm.net.my)

